

**TARA Two-hole bath mixer for free-standing assembly with hand shower set -  
Chrome**

TARA

25 943 882

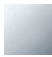







- 220mm projection
- pivotable spout 180°
- spout: circular, air-enriched flow
- Hand shower: COMPACT RAIN, max. flow rate 6.8 l/min (at 3 bar)
- hand shower with anti-scale system
- rotary diverter for bath/shower
- total height 920 mm
- stand pipes height 628 mm
- height up to aerator 765 mm
- slide-on rosettes Ø 90 mm
- gauge 150 mm
- metal shower hose 1250mm with integrated anti-twist protection
- pivotable shower holder on the right foot
- max. flow 22 l/min at 3 bar flow pressure

**Note: Local building codes may require the use of an anti-scald device. Please refer to remote pressure balance valve (35 910 970 90) Intrinsic protection against back flow.**

Note: Local building codes may require the use of an anti-scald device. Please refer to remote pressure balance valve (35 910 970 90)

Intrinsic protection against back flow.

|  |                               |               |
|--|-------------------------------|---------------|
|   | Chrome                        | 25 943 882-00 |
|   | Brushed Platinum              | 25 943 882-06 |
|   | Platinum                      | 25 943 882-08 |
|   | Dark Chrome                   | 25 943 882-19 |
|   | Brushed Durabrass (23kt Gold) | 25 943 882-28 |
|   | Matte Black                   | 25 943 882-33 |
|   | Brushed Champagne (22kt Gold) | 25 943 882-46 |
|   | Champagne (22kt Gold)         | 25 943 882-47 |
|   | Brushed Chrome                | 25 943 882-93 |
|  | Brushed Dark Platinum         | 25 943 882-99 |

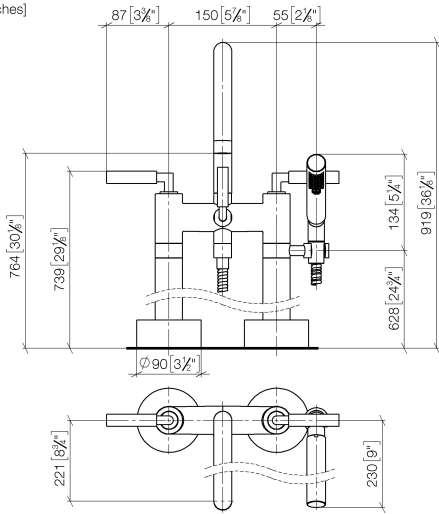
**Required miscellaneous**



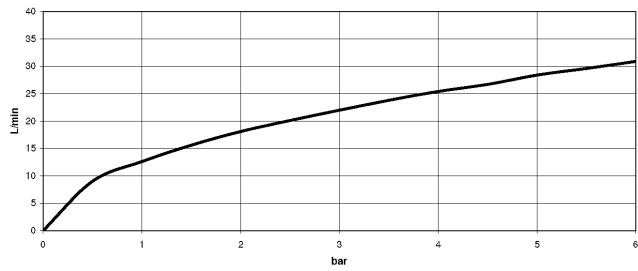
- Concealed floor mounting -**
- max. recess depth 160 mm
  - min. recess depth 80 mm

35 951 970-90  
0010

25 943 882  
mm [inches]



**Flow rate chart**



**Codes & Standards**

ASME  
A112.18.1/CSA  
B125.1



TARA Two-hole bath mixer for free-standing assembly with hand shower set -  
Chrome

---

TARA

25 943 882

Certificates

---

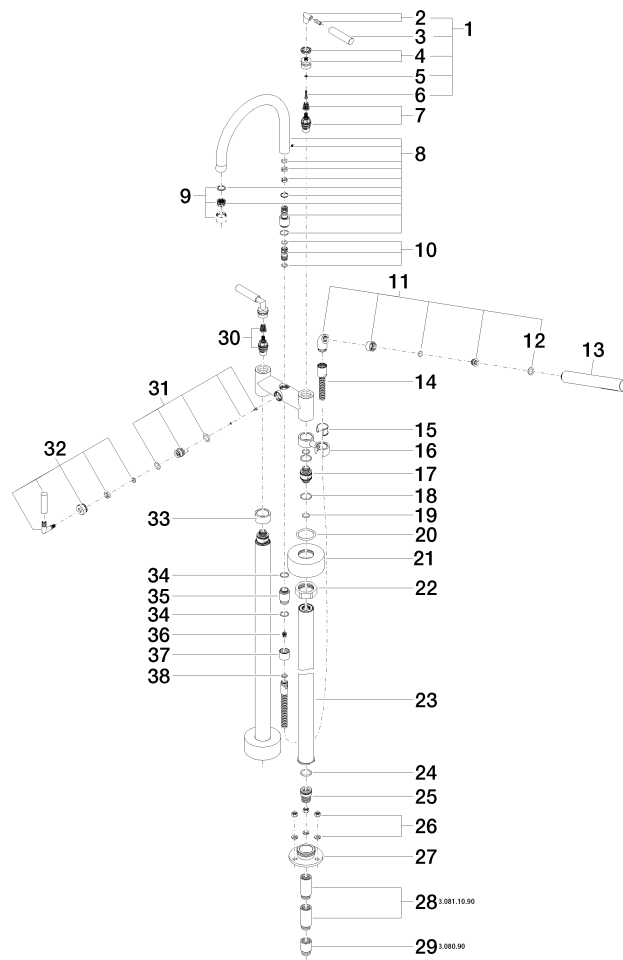
IAPMO\_4976 (5).

WRAS\_2212005.

LGA\_18932.

Belgaqua\_21-033-  
27\_2.

25 943 882



# TARA Two-hole bath mixer for free-standing assembly with hand shower set - Chrome

TARA

25 943 882

## Spare parts list

| No. | Item Number        | Name   | Quantity used | Delivery time |
|-----|--------------------|--|---------------|---------------|
| 1   | 04 20 88 052 00-00 | handle   | 2             | 10            |
| 2   | 04 18 20 022 00-00 | angle  | 2             | 10            |
| 3   | 09 20 88 052-00    | handle   | 2             | 10            |
| 4   | 90 12 12 007 00-00 | base   | 2             | 10            |
| 5   | 90 30 11 029 00 90 | disc   | 2             | 2             |
| 6   | 90 30 30 075 00 90 | screw  | 2             | 2             |
| 7   | 90 90 03 130 00 90 | top  | 1             | 2             |
| 8   | 90 28 22 222 00-00 | spout  | 1             | 10            |
| 9   | 90 23 01 024 00-00 | aerator  | 1             | 10            |
| 10  | 90 21 10 011 00 90 | diverter   | 1             | 2             |
| 11  | 04 24 04 189 00-00 | nipple   | 1             | 10            |
| 12  | 90 14 20 002 00 90 | seal   | 1             | 2             |
| 13  | 28 019 979-00      | Hand shower - Chrome                             | 1             | 2             |
| 14  | 90 30 02 072 00-00 | Metal shower hose 1/2" x 3/8" x 1250 mm - Chrome | 1             | 10            |
| 15  | 90 18 40 035 00 90 | sleeve   | 1             | 2             |
| 16  | 04 28 10 029 01-00 | holder   | 1             | 10            |
| 17  | 09 29 05 021 20 90 | nipple   | 2             | 2             |
| 18  | 09 14 10 112 90    | seal   | 4             | 2             |
| 19  | 90 14 10 055 00 90 | seal   | 4             | 2             |
| 20  | 09 14 10 041 90    | seal   | 2             | 2             |
| 21  | 09 27 89 025-00    | rosette  | 2             | 10            |
| 22  | 09 23 30 040-07    | nut  | 2             | 30            |
| 23  | 04 28 22 009 20-00 | connection                                       | 2             | 10            |
| 24  | 09 14 10 081 90    | seal   | 2             | 2             |
| 25  | 09 24 03 094-07    | nipple   | 2             | 30            |
| 26  | 04 23 10 023 00 90 | fixing set                                       | 2             | 2             |
| 27  | 09 30 11 130-07    | connection                                       | 2             | 30            |
| 28  | 09 24 03 081 10 90 | extension  | 4             | 2             |
| 29  | 09 24 03 080 90    | extension  | 2             | 2             |
| 30  | 90 90 03 131 00 90 | top  | 1             | 2             |
| 31  | 90 15 01 005 00 90 | insert   | 1             | 2             |
| 32  | 90 18 20 025 00-00 | diverter   | 1             | 10            |
| 33  | 09 28 10 028-00    | sleeve   | 1             | 10            |
| 34  | 90 14 10 032 00 90 | seal   | 2             | 2             |
| 35  | 09 24 03 121-00    | nipple   | 1             | 10            |
| 36  | 09 23 01 131 90    | back-flow preventer                              | 1             | 2             |
| 37  | 09 21 02 143-00    | sleeve   | 1             | 10            |
| 38  | 90 14 20 026 00 90 | seal   | 1             | 2             |